



Arms & Accessories



38mm Stainless Steel Flexible Arm Kit For Purex Airflow Valves

| | | | |
|--|--|--|--|
| | <p>Includes:</p> <ul style="list-style-type: none"> 1 x 38mm x 1m stainless steel flexible arm with fixed pen nib nozzle 1 x Support collar and valve 1 x Screwed bench bracket 1 x 51mm x 2m flexible hose with 2 connecting cuffs <p>Code: 100294</p> <p>Replacement parts available if required.</p> | | <p>Includes:</p> <ul style="list-style-type: none"> 1 x 38mm x 1m stainless steel flexible arm (includes 1 x Support collar and valve) 1 x Clamped bench bracket 1 x Pen-nib nozzle (38mm ID) 1 x Conical cowl (95mm ID) 1 x 51mm x 2m flexible hose with 2 connecting cuffs <p>Code: 100295</p> <p>Replacement parts available if required.</p> |
|--|--|--|--|

(Additional Fittings)

| | | | |
|--|--|---|---|
| <p>Clear hood cowl (265 x 310mm) Code: 840160</p> | <p>Pen Nib Nozzle (38mm ID) Code: 840170</p> | <p>Delta cowl (192 x 5mm inlet) Code: 840182</p> | <p>Conical Cowl (95mm ID) Code: 840190</p> |
| <p>Screwed bench bracket Code: 840200</p> | <p>Clamped bench bracket Code: 120180</p> | <p>Wall bracket Code: 840210</p> | <p>Bench support collar and valve Code: 840048</p> |
| <p>Plenum cowl Anti static polycarbonate (black) Includes 57mm airflow valve Code: 120703</p> | <p>Plenum cowl Anti static polycarbonate (clear) Includes 57mm airflow valve Code: 120704</p> | <p>Max W x L 300 x 400mm</p> | |

38mm Stainless Steel Flexible Arm For Push Fit Valves

| | |
|---|---|
| | <p>Build</p> <p>This is a high quality stainless steel replacement arm to fit plastic push fit valves.</p> <ul style="list-style-type: none"> 1 x 38mm x 1m stainless steel flexible arm 1 x Pen-nib nozzle (38mm ID) or 1 x Conical cowl (38mm ID) 1 x Tapered fitting |
| <p>Pen Nib Type Code: 120143</p> | <p>Conical Cowl Type Code: 120144</p> |



50mm Stainless Steel Flexible Arm Kit For Purex Airflow Valves

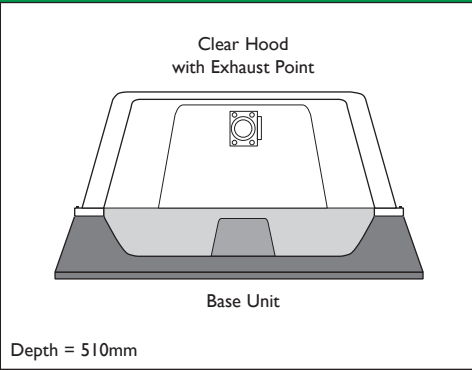
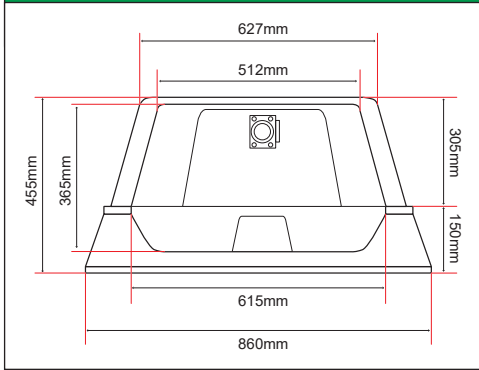
| | | | | | |
|--|--|--|--|--|--|
| | <p>Includes:</p> <ul style="list-style-type: none"> 1 x 50mm x 1m stainless steel flexible arm with fixed conical cowl 1 x Support collar and valve 1 x Clamped bench bracket 1 x 51mm x 2m flexible hose with 2 connecting cuffs <p>Code: 100297</p> | | <p>Includes:</p> <ul style="list-style-type: none"> 1 x 50mm x 1m stainless steel flexible arm with square end 1 x Support collar and valve 1 x Clamped bench bracket 1 x 51mm x 2m flexible hose with 2 connecting cuffs <p>Code: 100298</p> | | <p>Includes:</p> <ul style="list-style-type: none"> 1 x 50mm x 1m stainless steel flexible arm with clear hood cowl & cuff 1 x Support collar and valve 1 x Clamped bench bracket 1 x 51mm x 2m flexible hose with 2 connecting cuffs <p>Code: 100299</p> |
|--|--|--|--|--|--|

Replacement parts available if required.



Arms & Accessories

CleanCab Enclosed Extraction Unit



| Complete Kit | | Hood Only | | Base Only | |
|--------------|--|-----------|--|-----------|---|
| | Includes: Base Open hood 57mm Airflow valve Code: 840150 | | Includes: Open hood 57mm Airflow valve Code: 840159 | | Includes: Base Code: 840152 |
| | Includes: Base Open hood 75mm Exhaust port Code: 840155 | | Includes: Open hood 75mm Exhaust port Code: 840171 | | Includes: Downdraught base + insert Perforated steel plate 75mm Exhaust port Code: 840161 |
| | Includes: Downdraught base + Insert Perforated steel plate Open hood 75mm Exhaust port Code: 840164 | | Includes: Open hood Code: 840151 | | |

Connection kits with 51mm cuffs are suitable for 57mm valves - for 75mm exhaust port use kit 100185

Clean Air Feed

Free Clean Air

- Purex machines produce very clean air from the exhaust so why not use it?
- This replacement exhaust cowl can be used to supply clean air to equipment such as lasers, ovens and more...

| | |
|--------------------|--------|
| Machine Range: | Code: |
| 200/400, 200i/400i | 190040 |
| 800i | 190039 |
| 1500i/2000i | 640002 |



Dual Inlet Manifold

Connect two hose to one machine.

| | |
|--|---------|
| Manifold: | Code: |
| Aluminium Manifold | 120093 |
| Coated Aluminium Manifold for corrosive fumes. | 120093C |



(1 x 80mm to 2 x 50mm inlets)

Large Flexible Arms - Call

Digital 400 machines and above only.

100mm = Code: 120172

Other diameters please call.



Compressors

30 PSI / 2.1 bar

| | |
|---------------|--------|
| Compressor: | Code: |
| Free standing | 100284 |
| Integrated* | 100283 |

* 200i/400i/Alpha/Xbase

